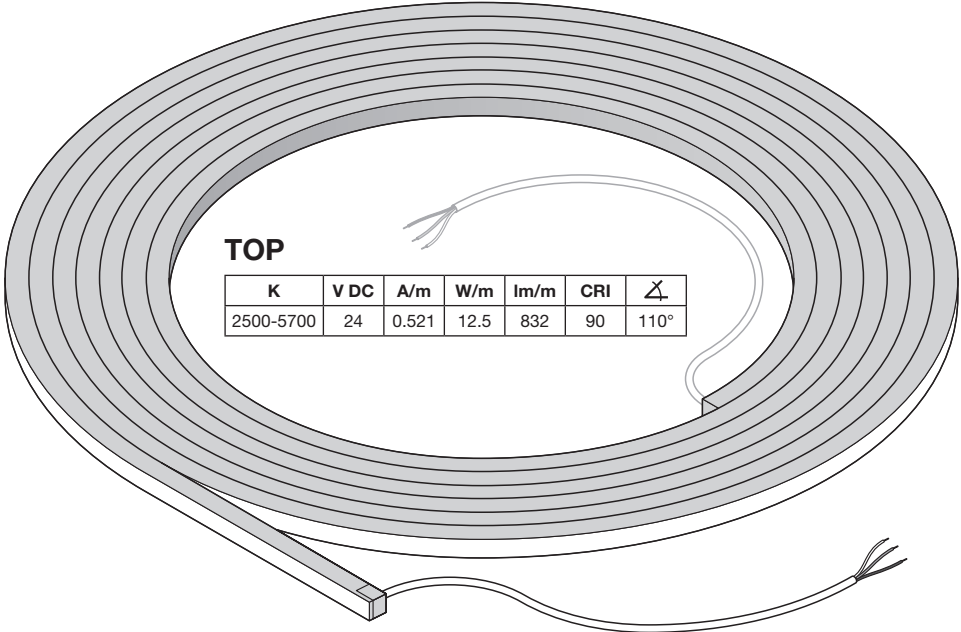
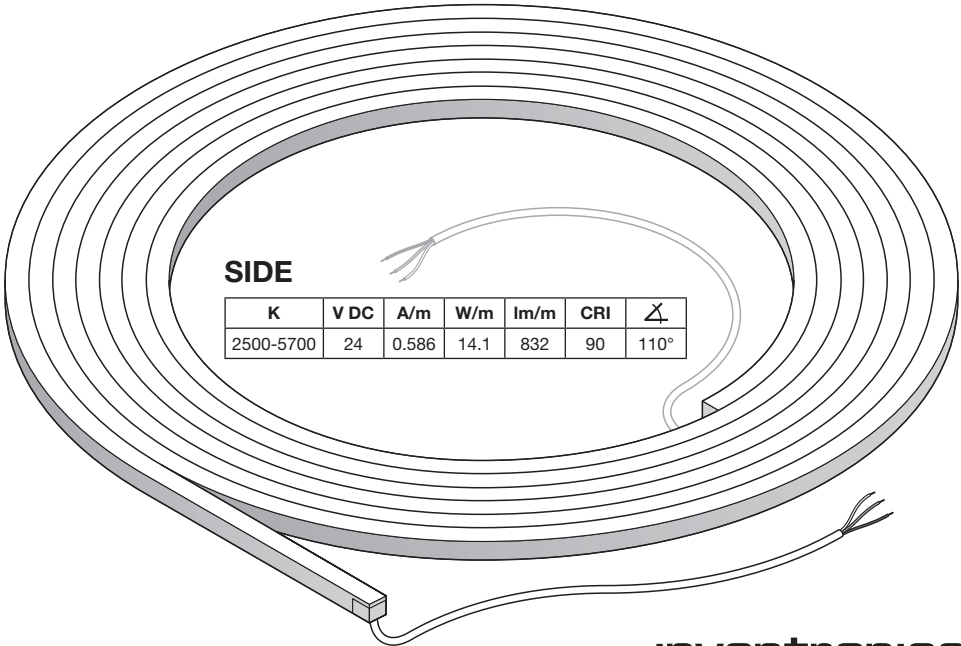


# GinoLED Diffuse Top/Side TW Plus



**TOP**

K	V DC	A/m	W/m	lm/m	CRI	$\angle$
2500-5700	24	0.521	12.5	832	90	110°



**SIDE**

K	V DC	A/m	W/m	lm/m	CRI	$\angle$
2500-5700	24	0.586	14.1	832	90	110°

GinoLED DIFFUSE **TOP** TUNABLE WHITE PLUS

	L	g
GFDT800TWPLUS-G1-92557-07 L1	7040	2570
GFDT800TWPLUS-G1-92557-07 L2	7040	2650
GFDT800TWPLUS-G1-92557-01 L1	960	420

CW (black) | WW (red) | +24V (yellow)

GinoLED DIFFUSE **SIDE** TUNABLE WHITE PLUS

	L	g
GFDS800TWPLUS-G1-92557-07 L1	7040	2570
GFDS800TWPLUS-G1-92557-07 L2	7040	2650
GFDS800TWPLUS-G1-92557-01 L1	960	420

CW (black) | WW (red) | +24V (yellow)

GinoLED DIFFUSE **TOP**  $\geq 300\text{mm}$

GinoLED DIFFUSE **SIDE**  $\geq 300\text{mm}$

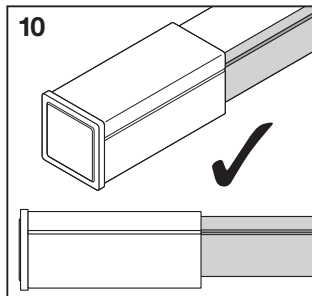
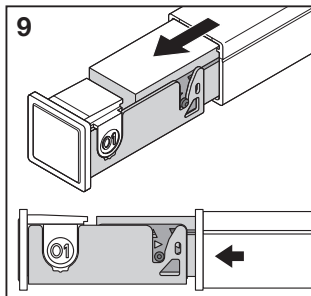
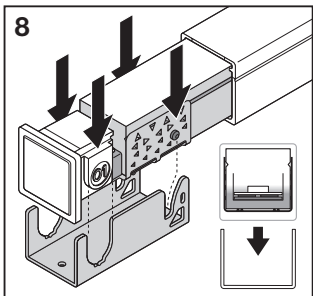
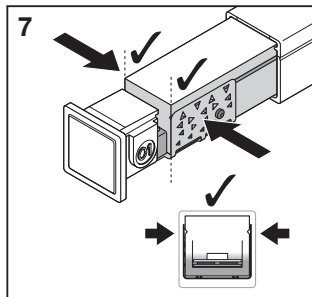
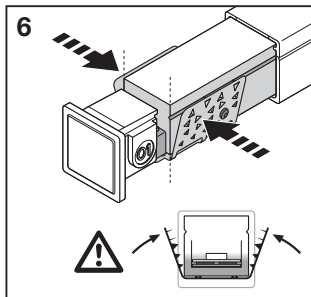
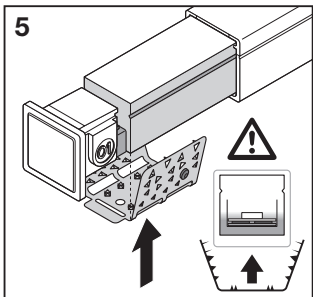
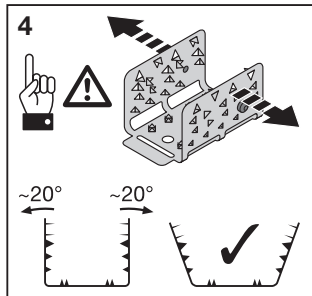
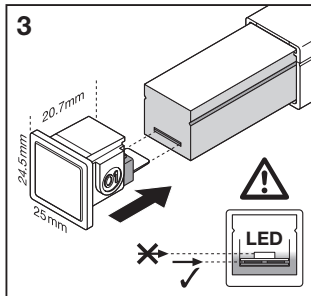
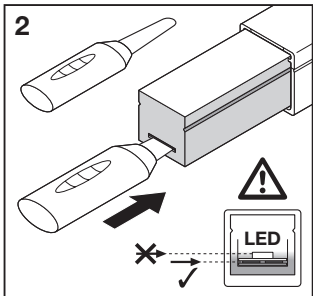
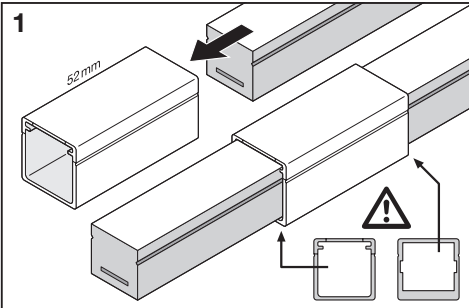
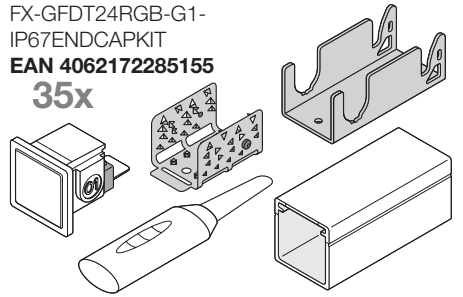
TOP  $\neq$  SIDE

GinoLED DIFFUSE **TOP**      GinoLED DIFFUSE **SIDE**

		$\Delta T_c$			
*	*	*	CE	*	IP67
*	*	*	OSRAM	*	UK
*	*	*	DC 24V	*	Tc
*	*	*		*	25
*	B	*	L	*	C
*		*	D	*	A
*		*	N	*	E
*		*	F	*	G
*		*	Q	*	

TOP

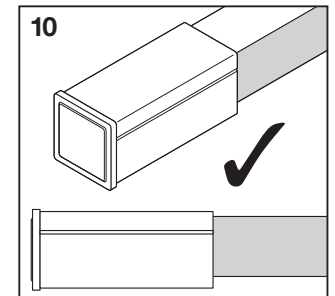
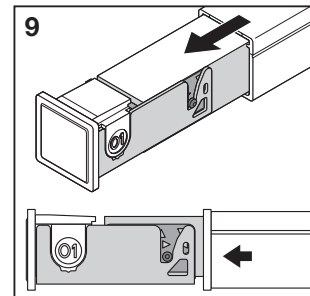
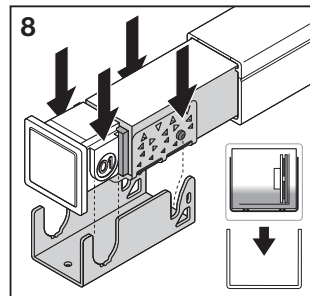
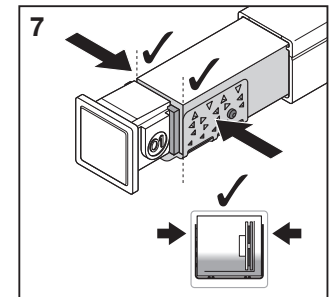
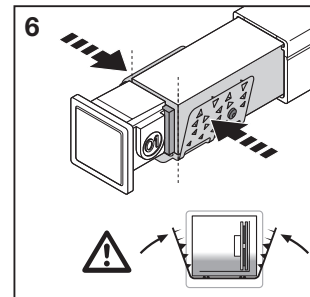
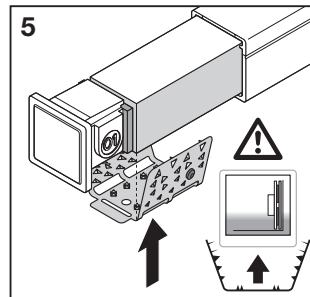
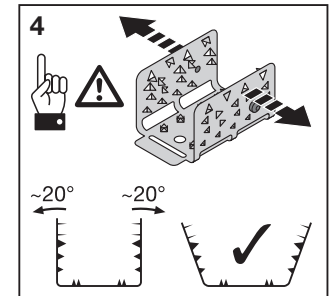
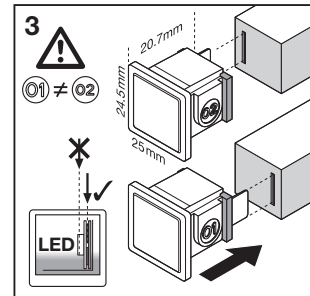
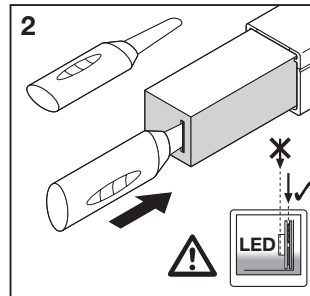
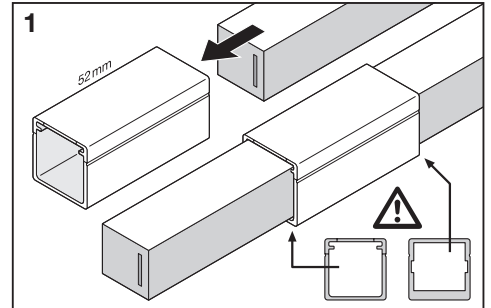
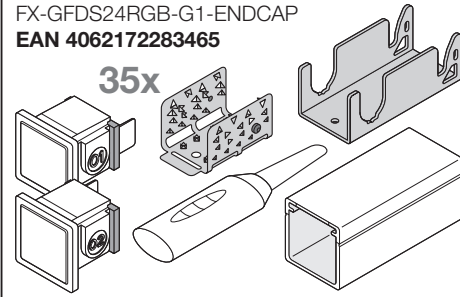
FX-GFDT24RGB-G1-  
IP67ENDCAPKIT  
EAN 4062172285155  
35x



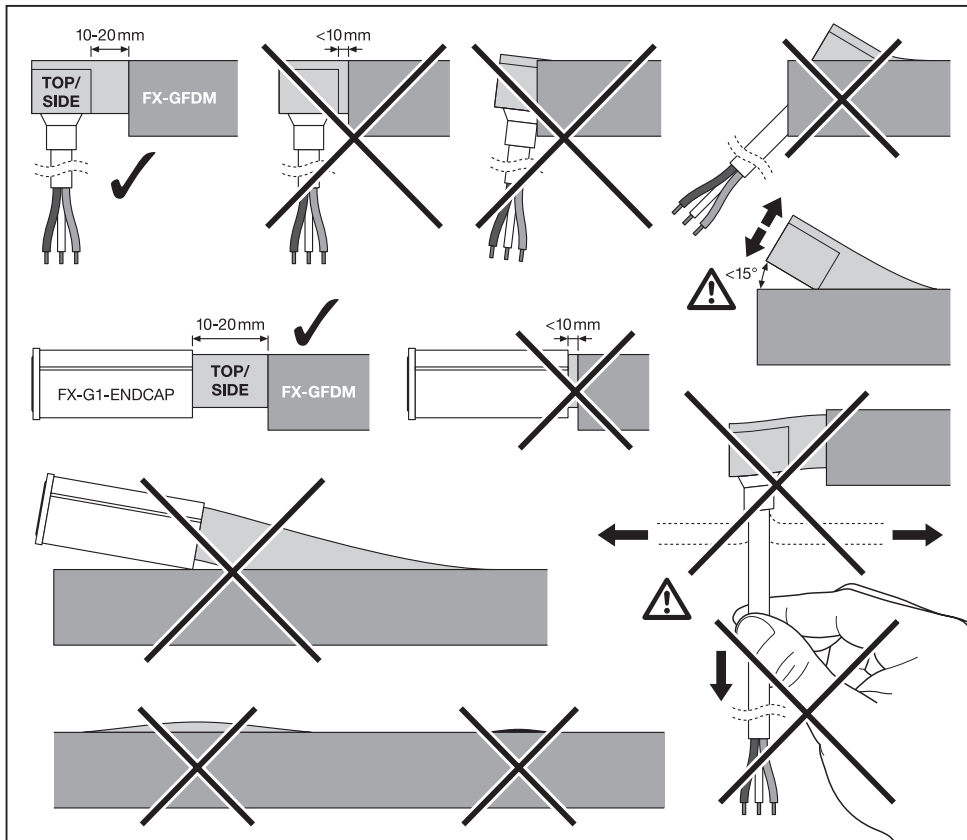
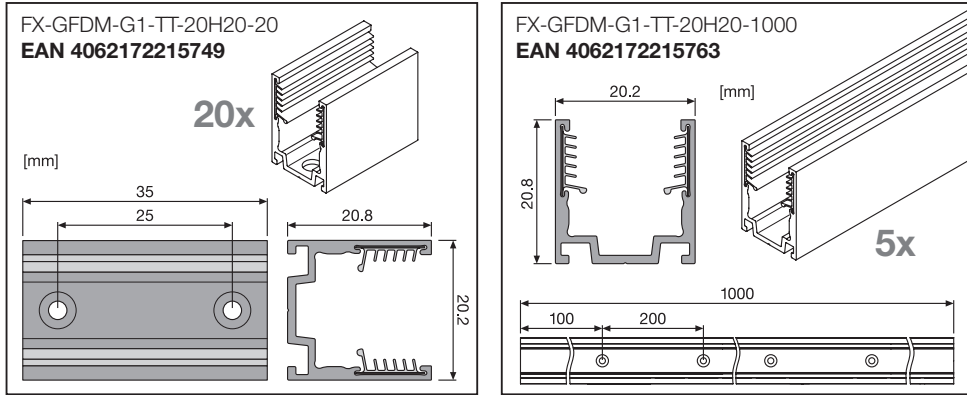
SIDE

FX-GFDS24RGB-G1-ENDCAP  
EAN 4062172283465

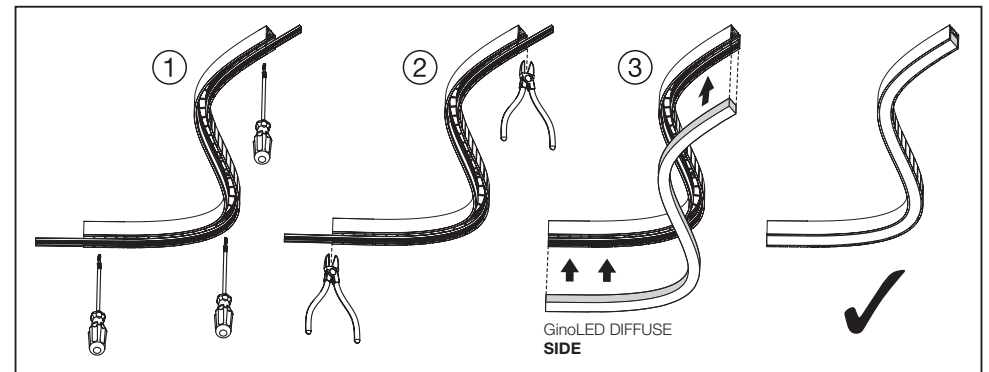
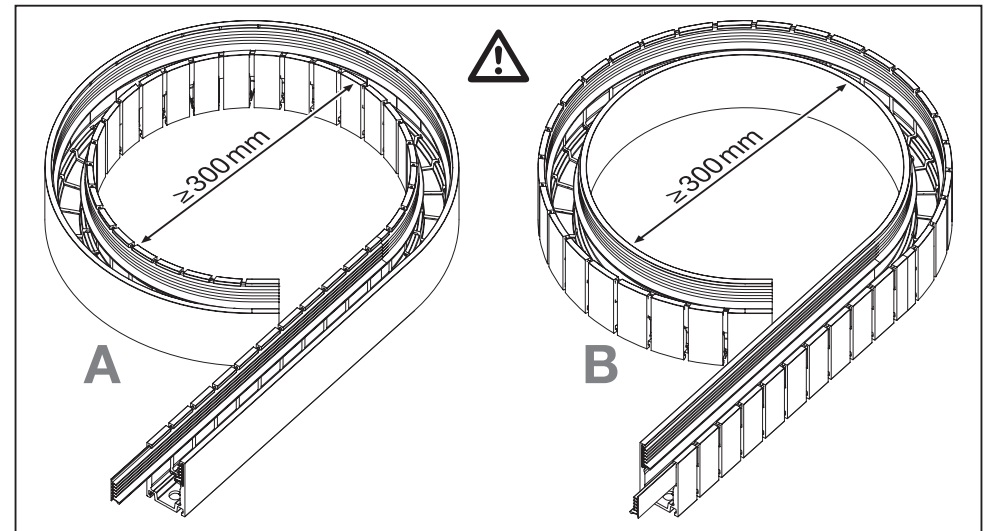
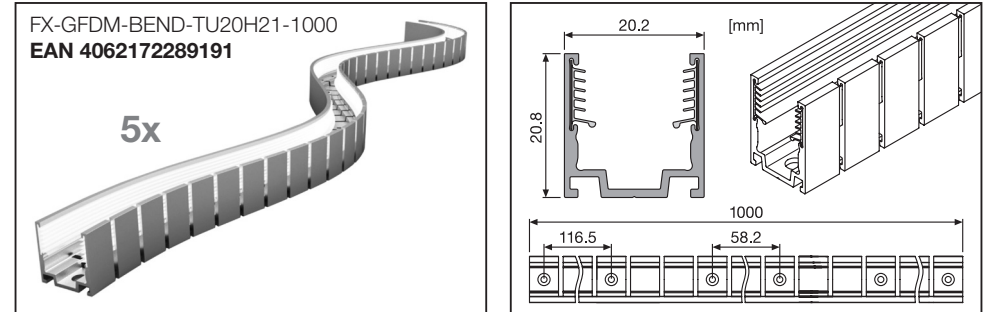
35x



**TOP / SIDE**



**SIDE**





- Ⓒ Εισαγωγέας: Inventronics Netherlands B.V., Polluxstraat 21, 5047RA Tillburg
- Ⓒ Forgalmazó: Inventronics Netherlands B.V., Polluxstraat 21, 5047RA Tillburg
- Ⓒ Inventronics Poland Sp. z o.o., Al. Jerozolimskie 94, 00-807 Warsaw, Poland
- Ⓒ Inventronics Turkey Teknoloji Ticaret Limited Şirketi, Büyükdere Cad. Bahar Sok. River Plaza No: 13/5 Sisli 34394 Istanbul, Turkey
- Ⓒ Uvoznik: Inventronics Netherlands B.V., Polluxstraat 21, 5047RA Tillburg
- Ⓒ Inventronics Netherlands B.V., Polluxstraat 21, 5047RA Tillburg
- Ⓒ Инвентроникс Нидерландия Б.В., Полукстраат 21, 5047 РА Тилбург

INVENTRONICS is a licensee of ams OSRAM. OSRAM is a trademark of ams OSRAM.



C10449058  
G15128595  
15.02.24



IP67



Inventronics GmbH  
Berliner Allee 65  
86153 Augsburg  
Germany

[www.inventronicsglobal.com](http://www.inventronicsglobal.com)